

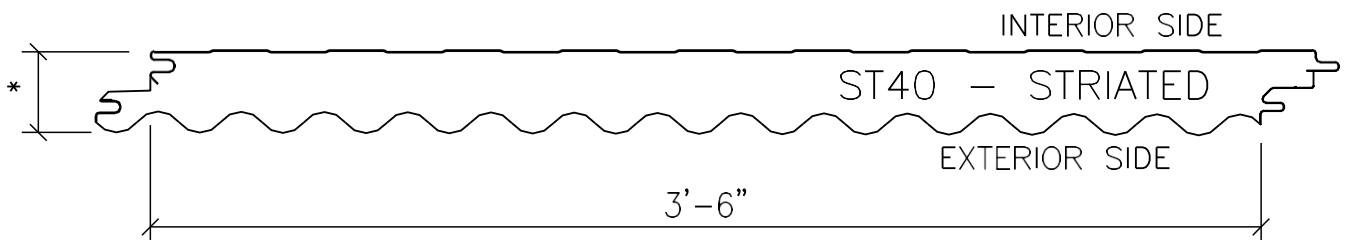
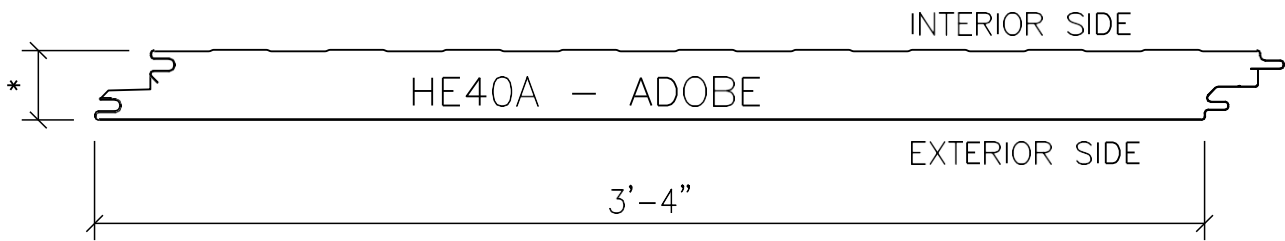
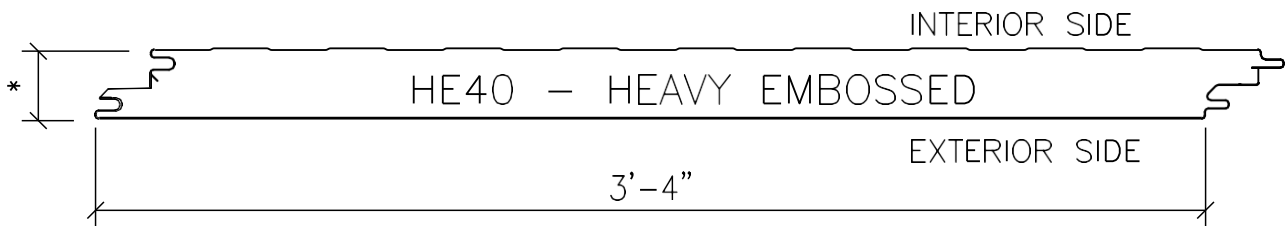
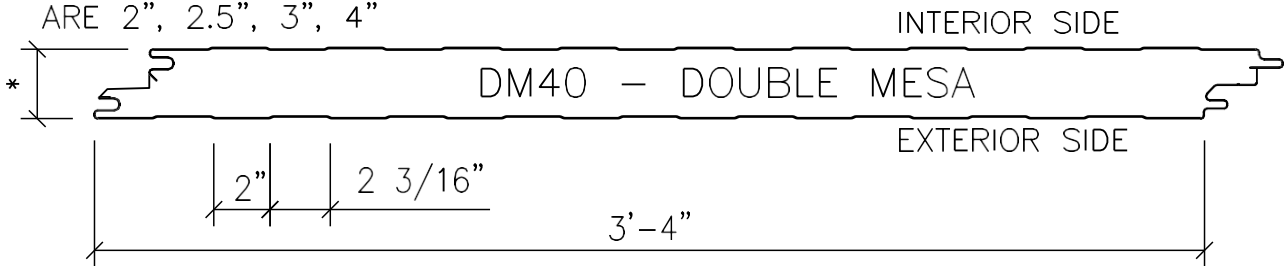
TABLE OF CONTENTS

GENERAL AND DOWNSPOUT DETAILS	2
WS0020PE – Panel Profiles	2
GA2041 – Insulated Wall Panel Erection Notes	3
GA2001 – Side Lap	4
GA2002 – Side Lap Section	5
GA2042 – Horizontal Joint	6
GA2130 – Standard Downspout with “S”	7
GA2135 – Connector Box	8
GA2150 – Standard Downspout With Collector Box Assembly	9
GA2170 – Standard Downspout @ Eave Overhang	10
BASE CONDITION DETAILS	11
STANDARD FINISHED FLOOR DETAILS	11
GB2300 – Base Support Angle w/ Trim	11
GB2320 – Base Support Angle w/ Trim @ < 4’ Curb Wall	12
STANDARD ABOVE FINISHED FLOOR DETAILS	13
GB2321 – Base Support Angle w/ Trim AFF > 4’	13
STANDARD CONCRETE NOTCH DETAILS	14
GB2330 – Base Trim at Notch	14
CORNER DETAILS	15
GC2021 – Outside Corner	15
GC2051 – Inside Corner	16
GC2081 – Inside Transition Corner at Masonry or Existing Building	17
FRAMED OPENING DETAILS	18
GD2020 – Jamb Trim – CF Jamb	18
GD2021 – Jamb Trim – HR Jamb	19
GD2040 – Head Trim – CF Cee	20
GD2041 – Head Trim HR Cee	21
GD2070 – Sill Trim	22

GENERAL AND DOWNSPOUT DETAILS

WS0020PE – PANEL PROFILES

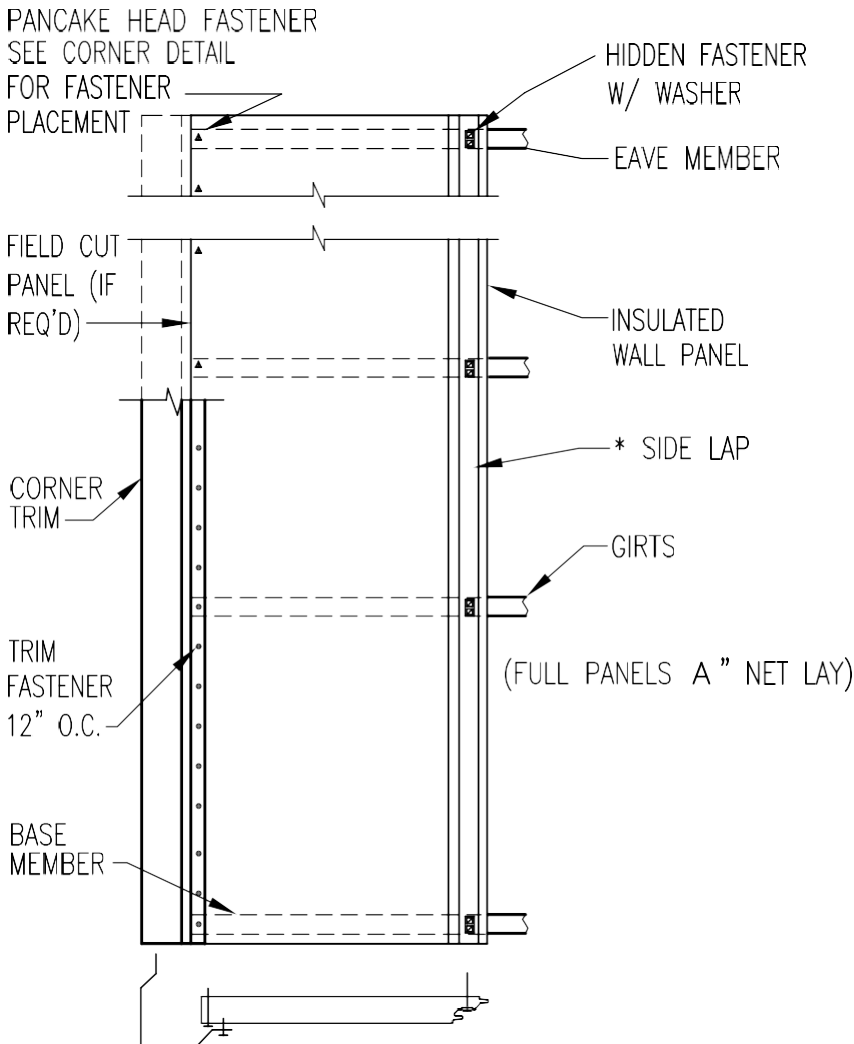
* STANDARD PANEL DEPTHS
ARE 2", 2.5", 3", 4"



GA2041 – INSULATED WALL PANEL ERECTION NOTES

”INSULATED WALL PANEL” ERECTION NOTES

- TRIM FASTENER (SEE FASTENER SCHEDULE)
- ▣ HIDDEN FASTENER (SEE CHART)
- ▲ THROUGH FASTENER (SEE CHART)

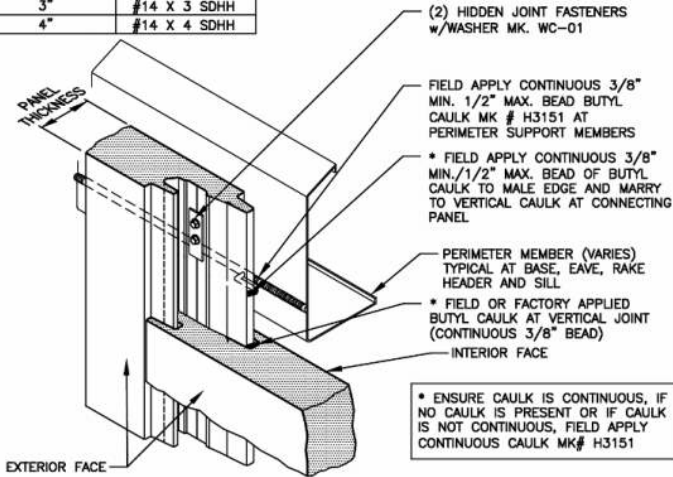


ERECTOR NOTES:

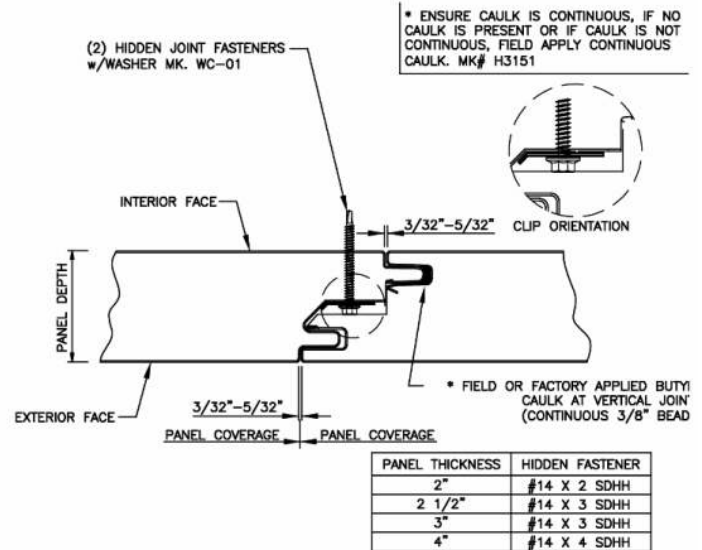
1. BLOCK GIRTS TO "LEVEL" POSITION BEFORE STARTING PANEL ERECTION. MAINTAIN WOOD BLOCKING (NOT BY NUCOR) UNTIL PANEL TO STRUCTURAL FASTENERS ARE INSTALLED.
2. ALIGN AND PLUMB FIRST WALL PANEL.
3. SHIMMING OF PANELS MAY BE REQUIRED. PANELS SHIMS BY OTHERS.
4. FOUNDATION MUST BE SQUARE, LEVEL, AND CORRECT TO THE OUT-TO-OUT STEEL LINE DIMENSIONS.
5. THE USE OF A CENTER PUNCH TO SLIGHTLY DIMPLE THE PANEL FACE PRIOR TO INSTALLING THE THROUGH FASTENERS IS RECOMMENDED TO PREVENT "WALKING" OF THE FASTENERS. EXCESSIVE DAMAGE OF THE PANEL CAUSED DURING THE INSTALLATION MAY VOID THE WARRANTY.
- 6.* ENSURE PANEL SEAM CAULK IS CONTINUOUS, IF NO CAULK IS PRESENT OR IF CAULK IS NOT CONTINUOUS, FIELD APPLY CONTINUOUS BUTYL TUBE CAULK.
5. ERECTION CREW IS TO CLEAN ALL WALL PANELS BEFORE LEAVING JOB SITE.
6. STORE PANELS PROPERLY TO PREVENT MOISTURE. SEE ERECTION MANUAL.

GA2001 – SIDE LAP

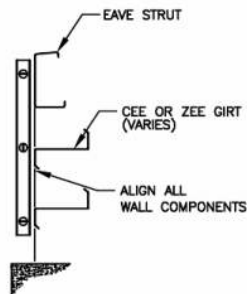
PANEL THICKNESS	HIDDEN FASTENER
2"	#14 X 2 SDHH
2 1/2"	#14 X 3 SDHH
3"	#14 X 3 SDHH
4"	#14 X 4 SDHH



BUTYL-CAULK @ PERIMETER MEMBERS
INSULATED WALL PANELS



VERTICAL JOINT @ MID-SPAN GIRTS
INSULATED WALL PANELS



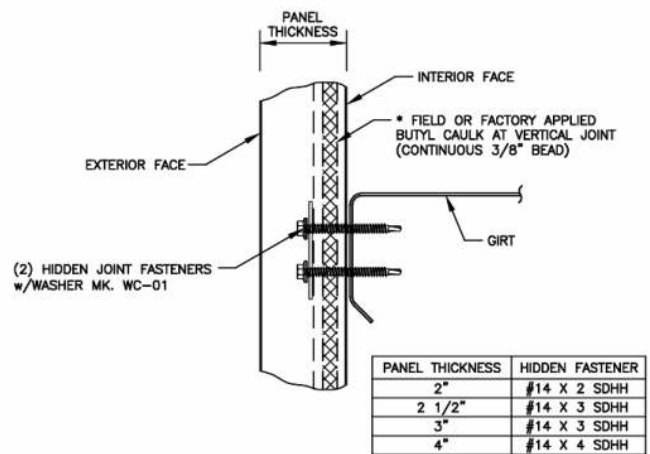
PRIOR TO PANEL INSTALLATION:
 -REVIEW INSULATED WALL PANEL ERECTION MANUAL INSTALLATION PROCEDURES AND ERECTION DRAWING DETAILS.
 -WITH ALL SECONDARY SUPPORT STEEL INSTALLED AND PLUMB VERIFY WALL COMPONENT ALIGNMENT AND PLANE FLATNESS.
 -COMPONENTS SHOULD NOT VARY MORE THAN 3/16\"/>

PANEL INSTALLATION NOTES:
 INSTALL PANELS AS INDICATED ON THE INSULATED WALL PANEL ERECTION MANUAL AND ERECTION DRAWING DETAILS.
DO NOT OVERDRIVE FASTENERS.
 OVERDRIVING FASTENERS CAN CAUSE DAMAGE AND DISTORTION OF THE PANEL FACE.
DO NOT SKIP ATTACHMENTS AT SECONDARY SUPPORT MEMBERS
 PANELS MUST BE ATTACHED AT EACH GIRTS LINE IN PROGRESSION. SECURING PANELS AT TOP AND BOTTOM ONLY CAN CAUSE PANELS TO BOW AND MAY MAKE IT IMPOSSIBLE FOR THEM TO RETURN TO THEIR NORMAL POSITION.

PANEL ERECTION NOTES

NOTE: DETAIL AS SHOWN TYPICAL AT MID-SPAN MEMBERS AWAY FROM CUT PANEL EDGES (NON-PERIMETER MEMBERS)

* ENSURE CAULK IS CONTINUOUS, IF NO CAULK IS PRESENT OR IF CAULK IS NOT CONTINUOUS, FIELD APPLY CONTINUOUS CAULK. MK# H3151



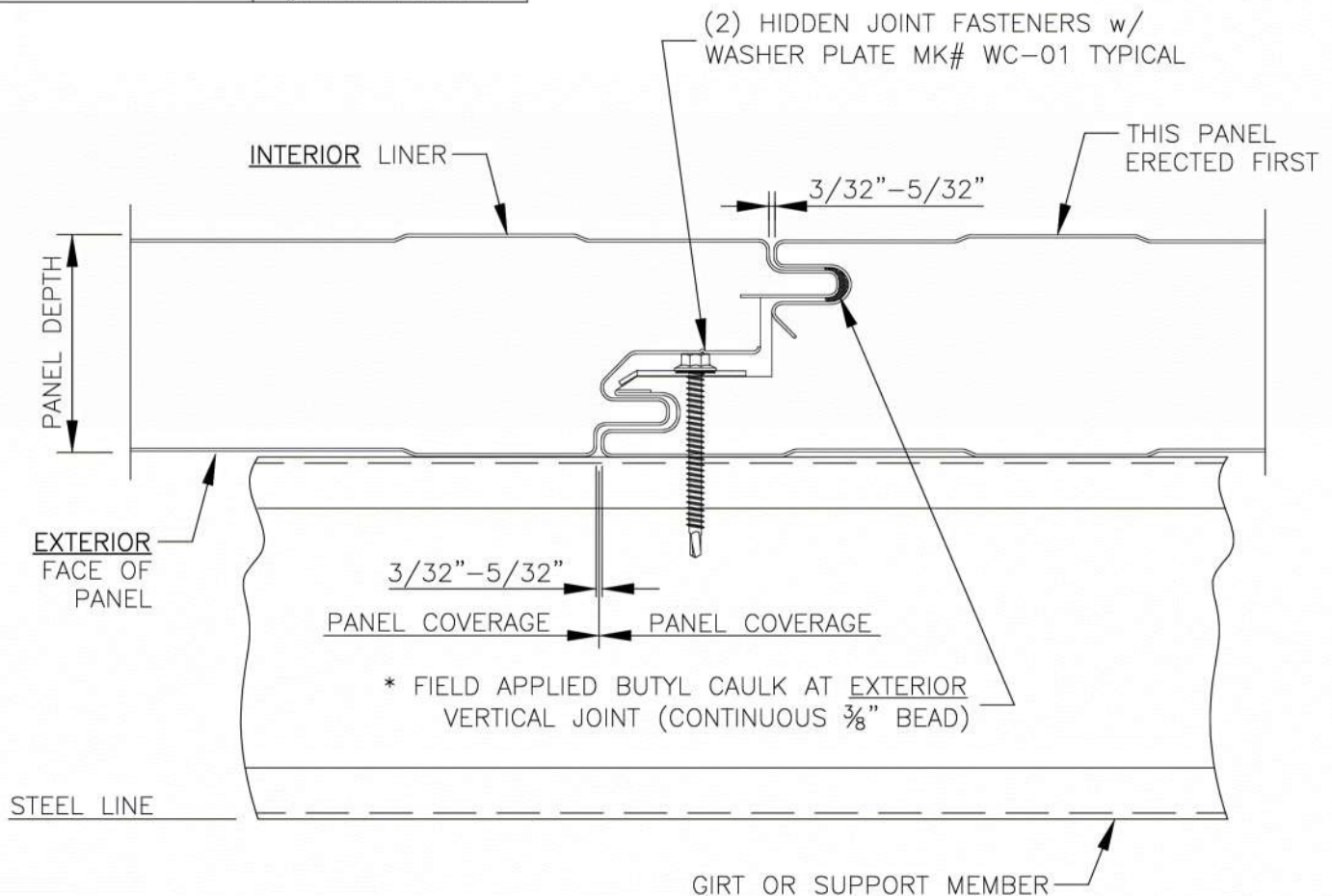
VERTICAL JOINT "SECTION" @ MID-SPAN GIRTS
INSULATED WALL PANELS

GA2001

GA2002 – SIDE LAP SECTION

PANEL THICKNESS	HIDDEN FASTENER
2"	#14 X 2 SDHH
2 1/2"	#14 X 3 SDHH
3"	#14 X 3 SDHH
4"	#14 X 4 SDHH

* ENSURE CAULK IS CONTINUOUS, IF NO CAULK IS PRESENT OR IF CAULK IS NOT CONTINUOUS, FIELD APPLY CONTINUOUS CAULK. MK# H3151



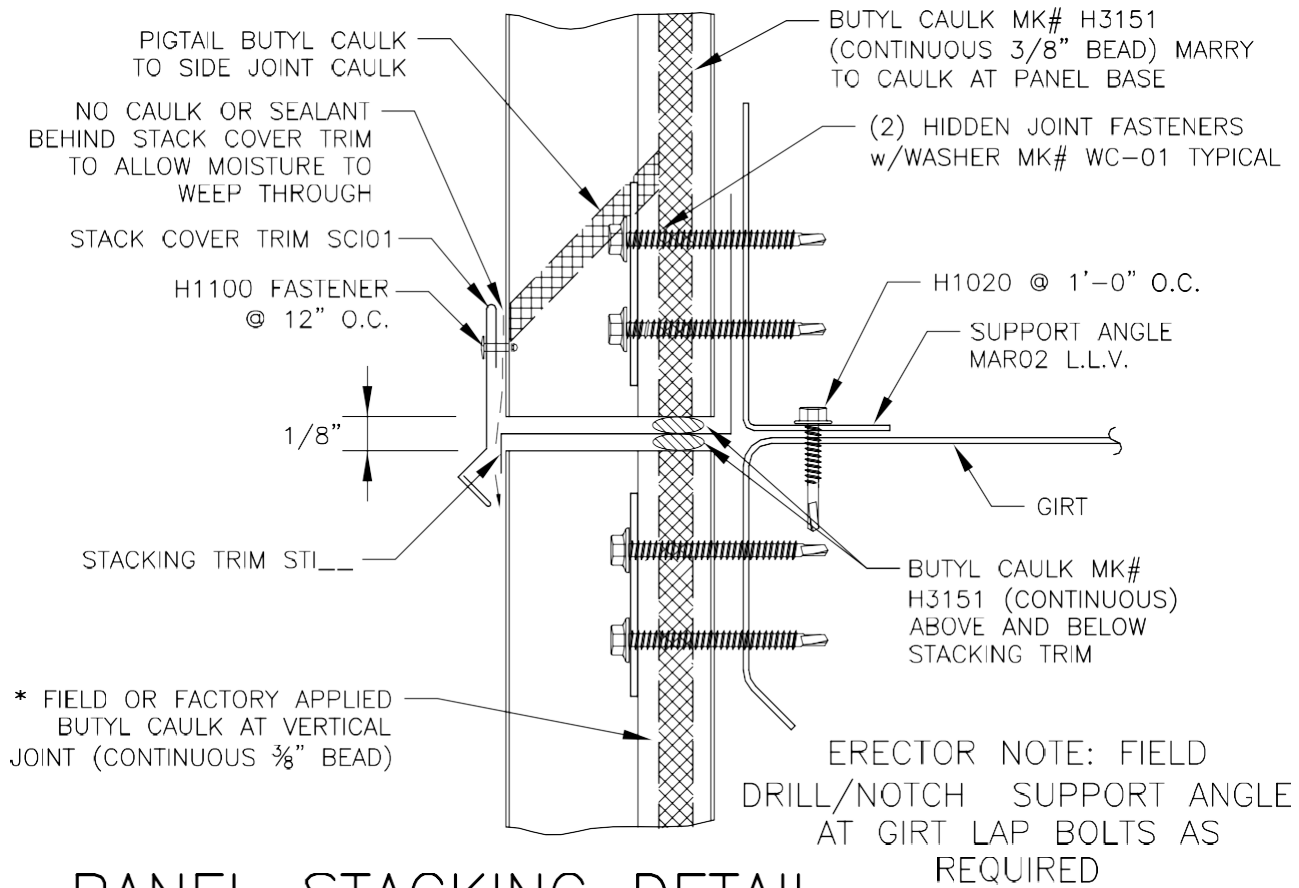
EXPOSED GIRT DETAIL
VERTICAL JOINT @ MID-SPAN GIRT

INSULATED WALL PANELS

GA2002

GA2042 – HORIZONTAL JOINT

PANEL THICKNESS	HIDDEN FASTENER	UNTIL WALL PANELS ARE INSTALLED, POP RIVETS ARE TO BE USED FOR TEMPORARY INSTALLATION OF STACKING TRIM.	* ENSURE CAULK IS CONTINUOUS, IF NO CAULK IS PRESENT OR IF CAULK IS NOT CONTINUOUS, FIELD APPLY CONTINUOUS CAULK H3151
2"	#14 X 2 SDHH		
2 1/2"	#14 X 3 SDHH		
3"	#14 X 3 SDHH		
4"	#14 X 4 SDHH		



PANEL STACKING DETAIL

INSULATED WALL PANELS
PANEL SHIMMING MAY BE REQUIRED. PANEL SHIMS BY OTHERS

GA2042

GA2130 – STANDARD DOWNSPOUT WITH “S”

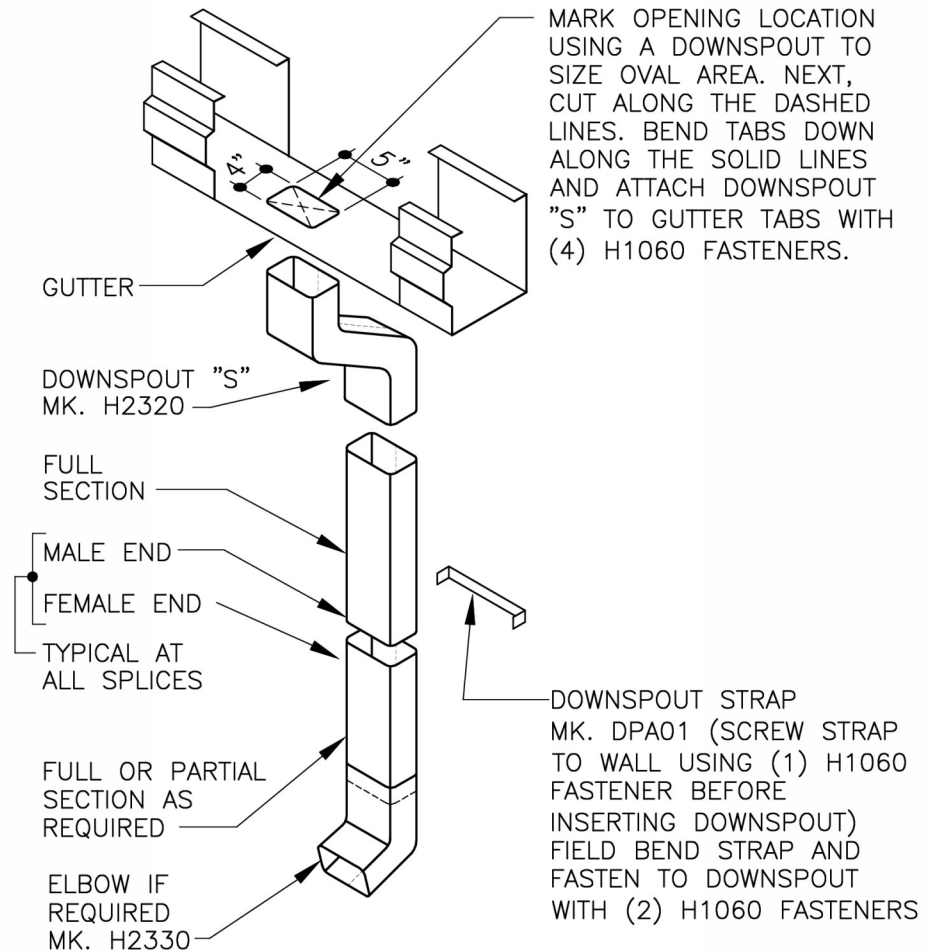
USE (4) POP RIVETS
MK. H1100 AT ALL
ELBOW, “S”, AND
DOWNSPOUT
CONNECTIONS U.N.O.

ERECTOR NOTES:

1. MITERING OF THE “S”
WILL BE REQUIRED AT
SLOPES OVER 4:12 FOR
PROPER LINE UP WITH
THE DOWNSPOUT.

2. IF PROJECT
CONTRACT SPECIFIES “S”
SHAPES AT THE BOTTOM
OF THE DOWNSPOUT IN
LIEU OF ELBOWS, SEE
DETAIL GA0105.

3. LOCATE ONE
DOWNSPOUT STRAP AT
EVERY “S”, ELBOW AND
DOWNSPOUT SPLICE.



GA2130

STANDARD GUTTER AND DOWNSPOUT DETAIL

REFERENCE GUTTER AND DOWNSPOUT SCHEDULE FOR DOWNSPOUT MARK NUMBERS

GA2135 – CONNECTOR BOX

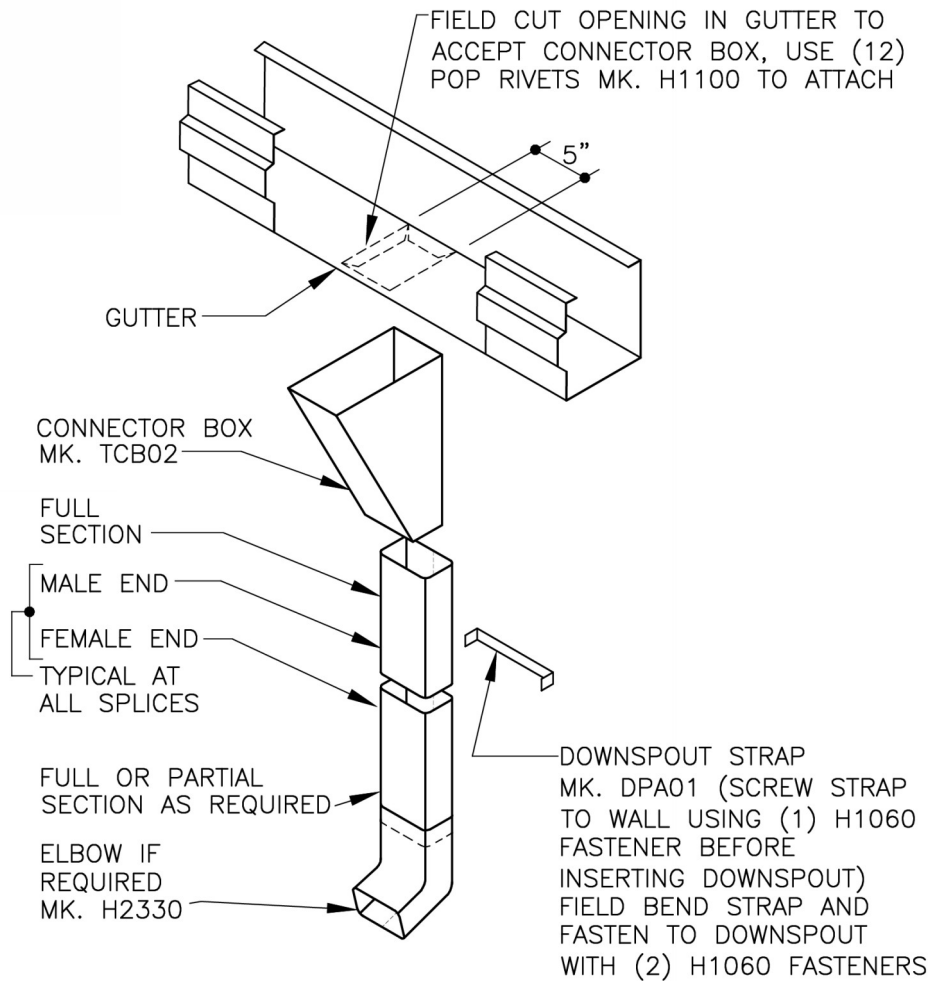
USE (4) POP RIVETS MK. H1100 AT ALL ELBOWS AND DOWNSPOUT CONNECTIONS U.N.O.

ERECTOR NOTES:

1. IT IS INTENDED FOR THE LEG OF THE CONNECTOR BOX, ADJACENT TO THE WALL, TO BE INSTALLED IN A PLUMB POSITION. FIELD MITERING OF THE TOP OF THE CONNECTOR BOX MAY BE REQUIRED TO ACHIEVE THIS.

2. IF PROJECT CONTRACT SPECIFIES "S" SHAPES AT THE BOTTOM OF THE DOWNSPOUT IN LIEU OF ELBOWS, SEE DETAIL GA2105

3. LOCATE ONE DOWNSPOUT STRAP AT EVERY ELBOW AND DOWNSPOUT SPLICE.



GA2135

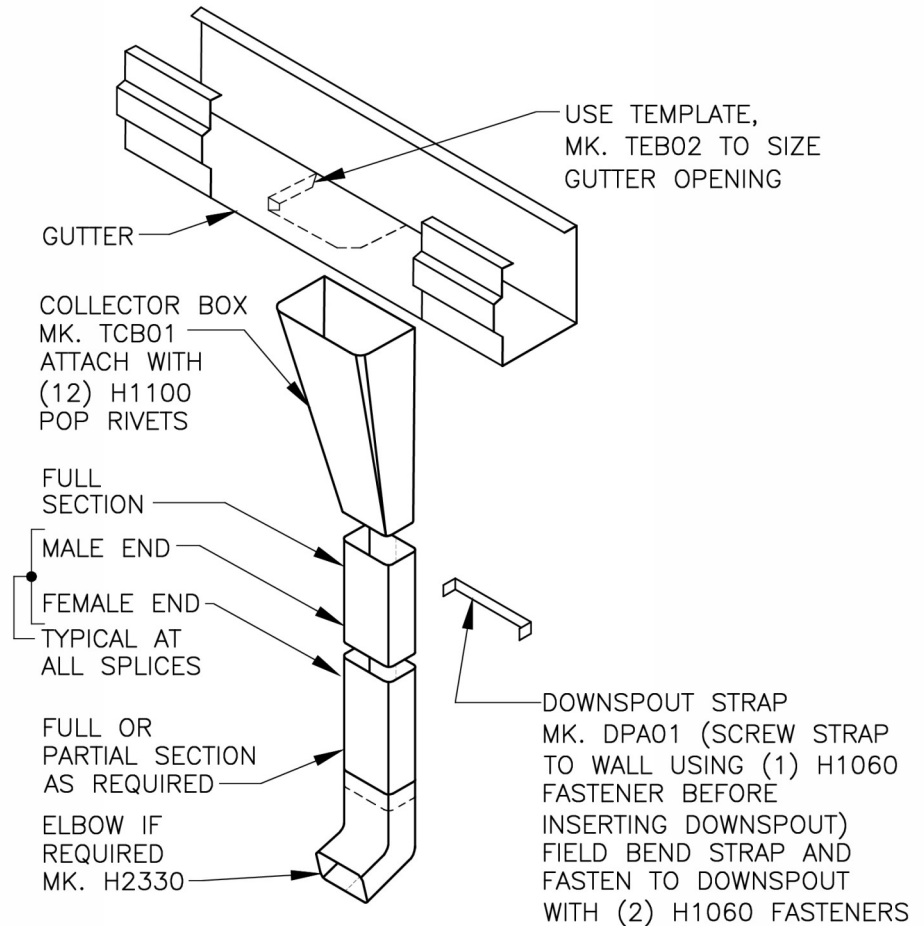
GUTTER & DOWNSPOUT DETAIL WITH CONNECTOR BOX

REFERENCE GUTTER AND DOWNSPOUT SCHEDULE FOR DOWNSPOUT MARK NUMBERS

GA2150 – STANDARD DOWNSPOUT WITH COLLECTOR BOX ASSEMBLY

USE (4) POP RIVETS
MK. H1100 AT ALL
ELBOW AND DOWNSPOUT
CONNECTIONS U.N.O.

ERECTOR NOTES:
1. IF PROJECT
CONTRACT SPECIFIES
"S" SHAPES AT THE
BOTTOM OF THE
DOWNSPOUT IN LIEU
OF ELBOWS, SEE
DETAIL GA2105.
2. LOCATE ONE
DOWNSPOUT STRAP AT
EVERY ELBOW AND
DOWNSPOUT SPLICE.

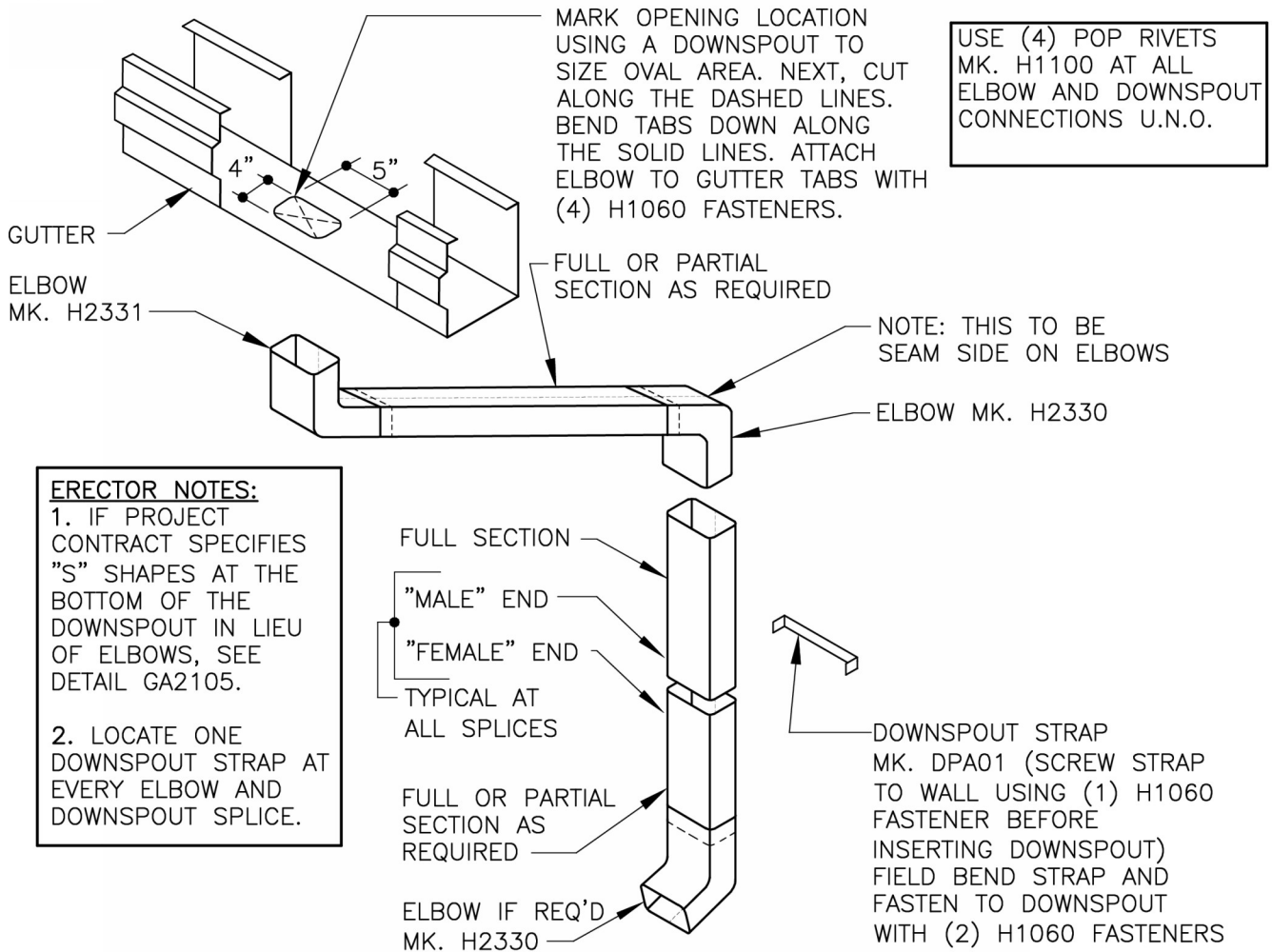


GA2150

GUTTER & DOWNSPOUT DETAIL WITH COLLECTOR BOX

REFERENCE GUTTER AND DOWNSPOUT SCHEDULE FOR DOWNSPOUT MARK NUMBERS

GA2170 – STANDARD DOWNSPOUT @ EAVE OVERHANG



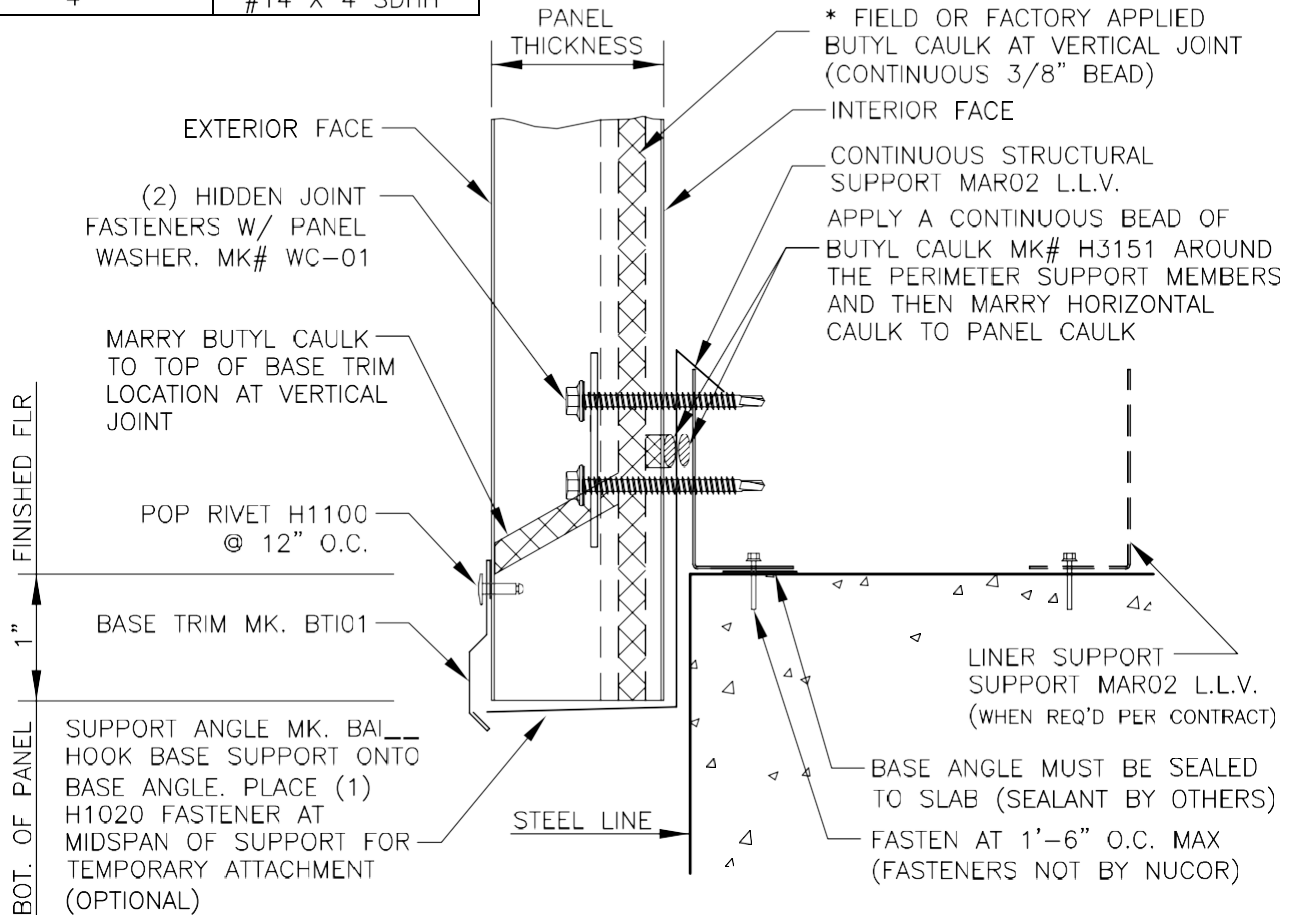
GUTTER AND DOWNSPOUT DETAIL AT OVERHANG

REFERENCE GUTTER AND DOWNSPOUT SCHEDULE FOR DOWNSPOUT MARK NUMBERS

BASE CONDITION DETAILS
STANDARD FINISHED FLOOR DETAILS
GB2300 – BASE SUPPORT ANGLE W/ TRIM

PANEL THICKNESS	HIDDEN FASTENER
2"	#14 X 2 SDHH
2 1/2"	#14 X 3 SDHH
3"	#14 X 3 SDHH
4"	#14 X 4 SDHH

* ENSURE CAULK IS CONTINUOUS, IF NO CAULK IS PRESENT OR IF CAULK IS NOT CONTINUOUS, FIELD APPLY CONTINUOUS CAULK MK# H3151



BASE TRIM DETAIL

BASE TRIM WITH PANEL SUPPORT
SEE INSULATED WALL PANEL SHEETING ERECTION NOTES
FOR PANEL FASTENER LOCATIONS.

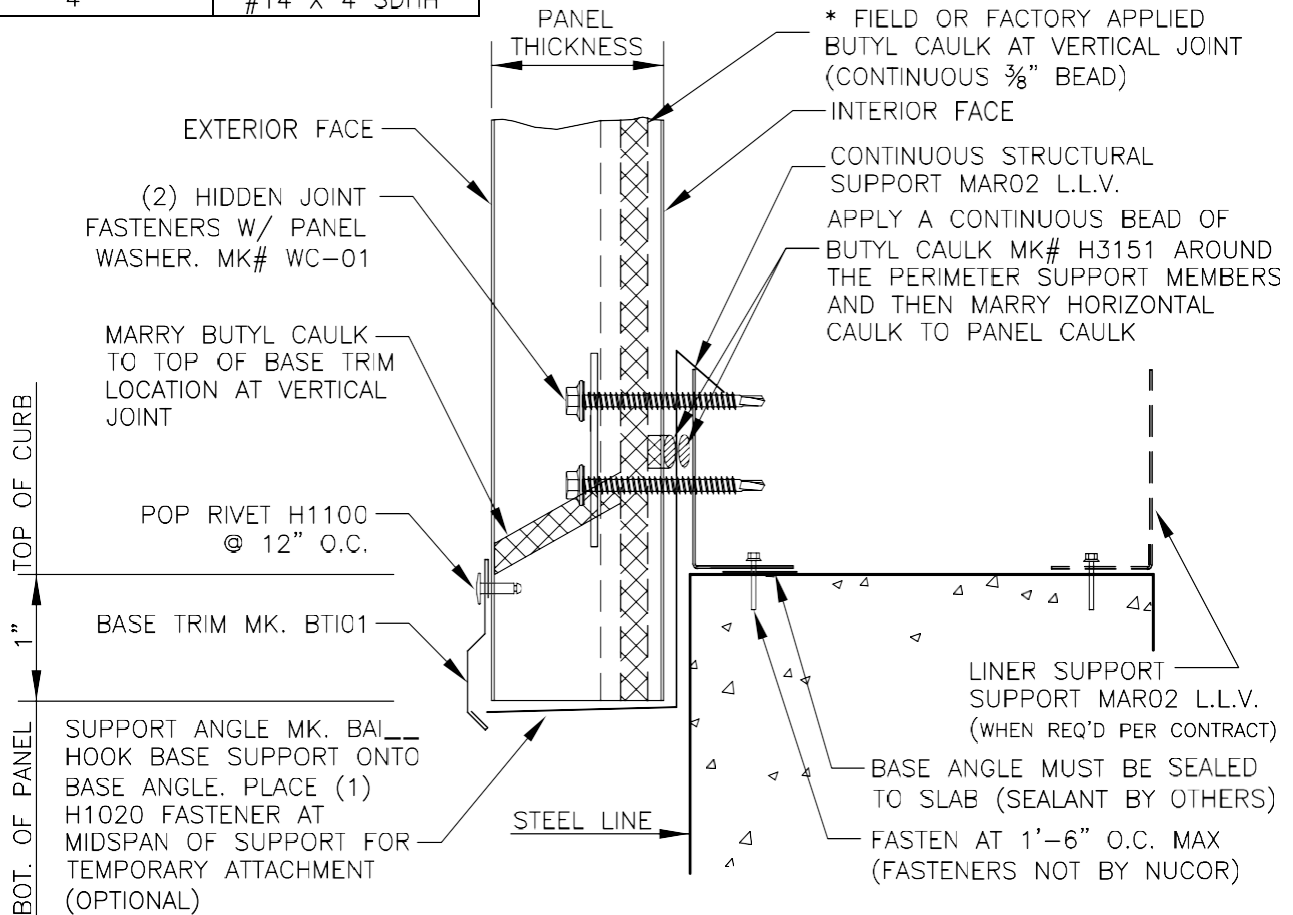
GB2300

Note: Base Angle standard. Base Channel available upon request.

GB2320 – BASE SUPPORT ANGLE W/ TRIM @ < 4' CURB WALL

PANEL THICKNESS	HIDDEN FASTENER
2"	#14 X 2 SDHH
2 1/2"	#14 X 3 SDHH
3"	#14 X 3 SDHH
4"	#14 X 4 SDHH

* ENSURE CAULK IS CONTINUOUS, IF NO CAULK IS PRESENT OR IF CAULK IS NOT CONTINUOUS, FIELD APPLY CONTINUOUS CAULK MK# H3151



BASE TRIM DETAIL @ CURB WALL

BASE TRIM WITH PANEL SUPPORT @ CURB WALL < 4'-0" TALL
SEE INSULATED WALL PANEL SHEETING ERECTION NOTES FOR
PANEL FASTENER LOCATIONS.

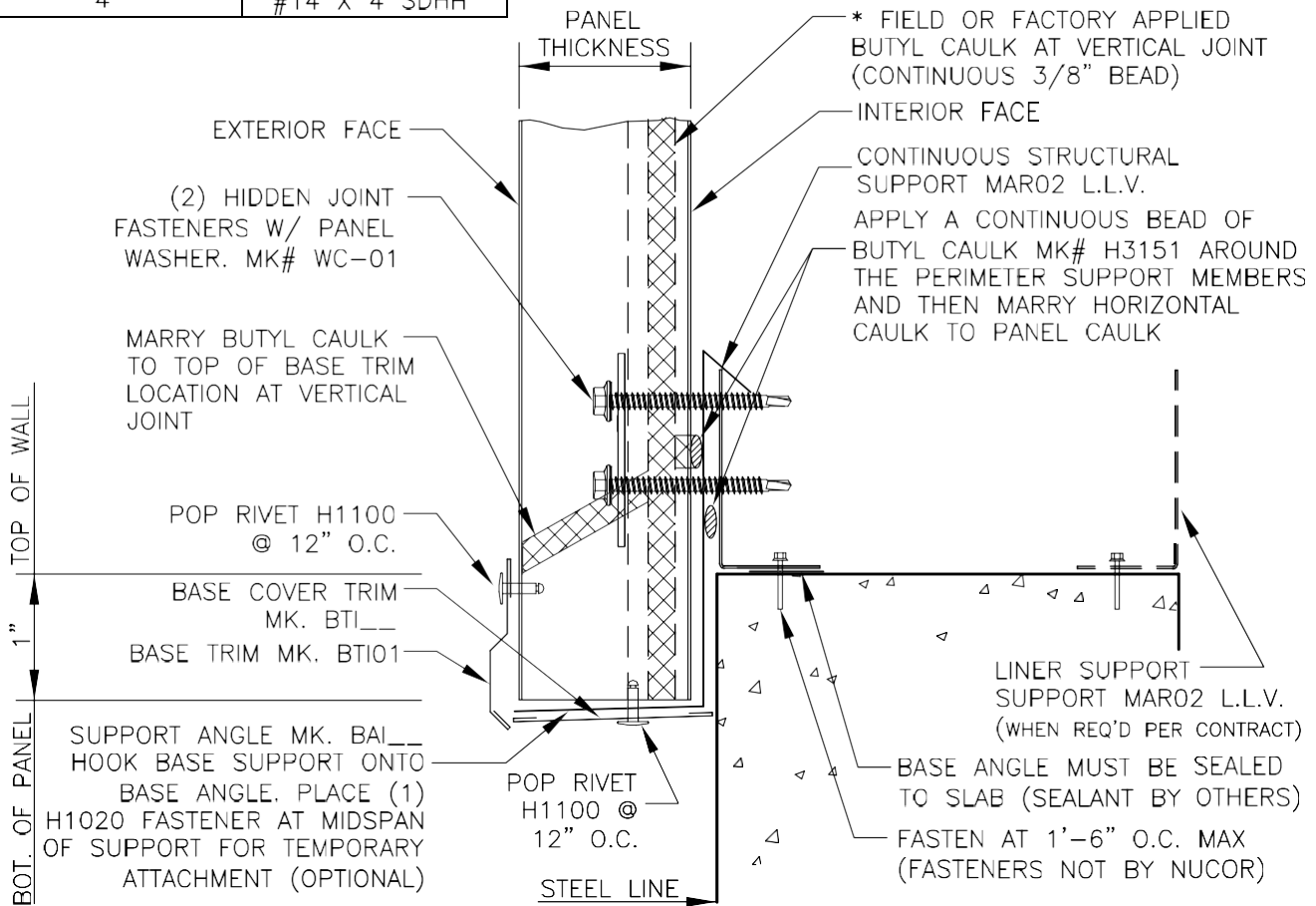
GB2320

Note: Base Angle standard. Base Channel available upon request.

STANDARD ABOVE FINISHED FLOOR DETAILS
GB2321 – BASE SUPPORT ANGLE W/ TRIM AFF > 4'

PANEL THICKNESS	HIDDEN FASTENER
2"	#14 X 2 SDHH
2 1/2"	#14 X 3 SDHH
3"	#14 X 3 SDHH
4"	#14 X 4 SDHH

* ENSURE CAULK IS CONTINUOUS, IF NO CAULK IS PRESENT OR IF CAULK IS NOT CONTINUOUS, FIELD APPLY CONTINUOUS CAULK MK# H3151



BASE TRIM DETAIL @ CONCRETE WALL

BASE TRIM WITH PANEL SUPPORT @ CURB WALL > 4'-0" TALL
SEE INSULATED WALL PANEL SHEETING ERECTION NOTES FOR
PANEL FASTENER LOCATIONS.

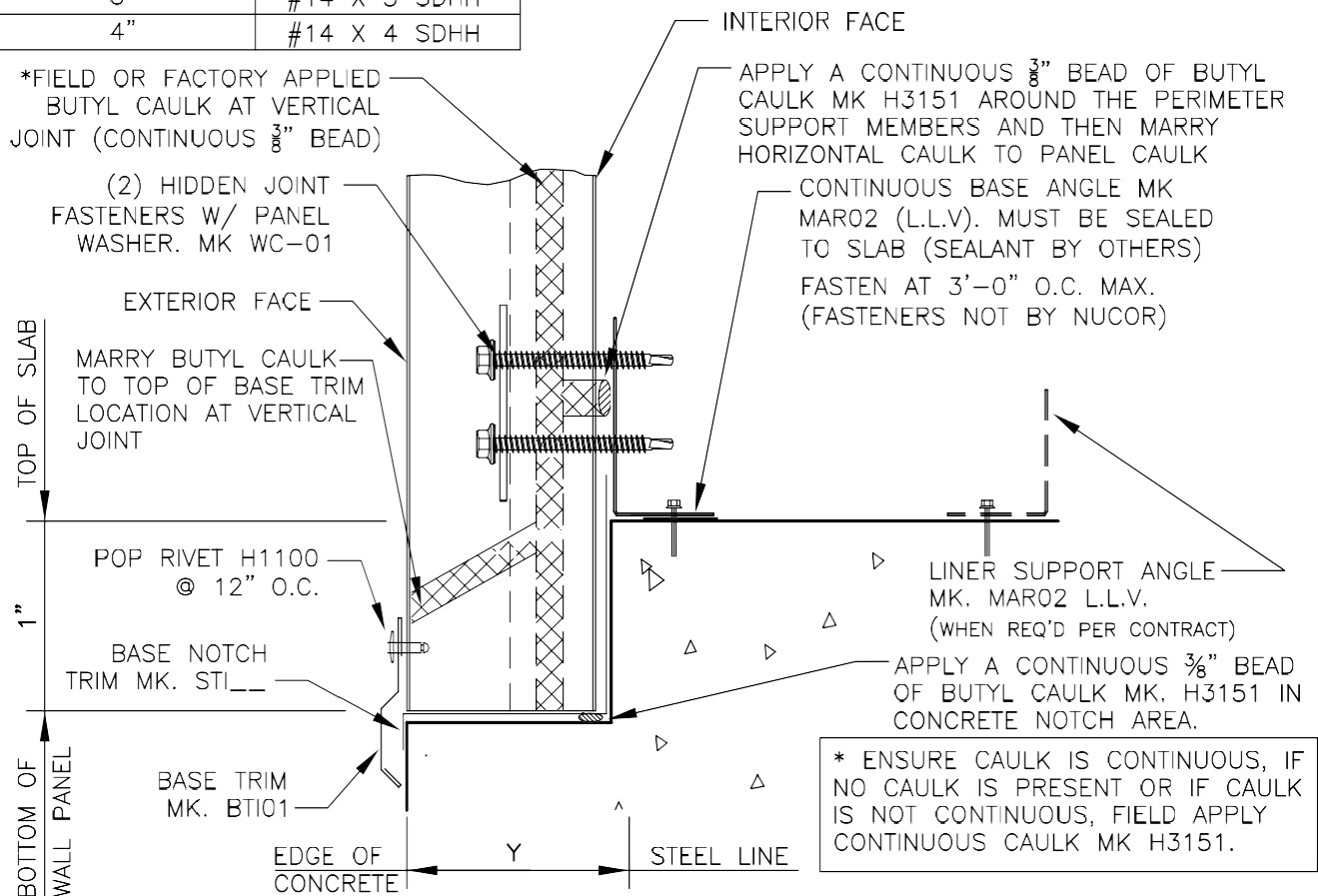
GB2321

Note: Base Angle standard. Base Channel available upon request.

**STANDARD CONCRETE NOTCH DETAILS
GB2330 – BASE TRIM AT NOTCH**

PANEL THICKNESS	HIDDEN FASTENER
2"	#14 X 2 SDHH
2 1/2"	#14 X 3 SDHH
3"	#14 X 3 SDHH
4"	#14 X 4 SDHH

NOTE: PANEL SCREWS MUST ENGAGE THE BASE ANGLE. FIELD NOTCHING OF THE ANGLE MAY BE REQUIRED AT THE COLUMNS AND CORNERS.



WALL PANEL BASE TRIM DETAIL

BASE TRIM AT NOTCH
SEE INSULATED WALL PANEL SHEETING ERECTION NOTES
FOR PANEL FASTENER LOCATIONS.

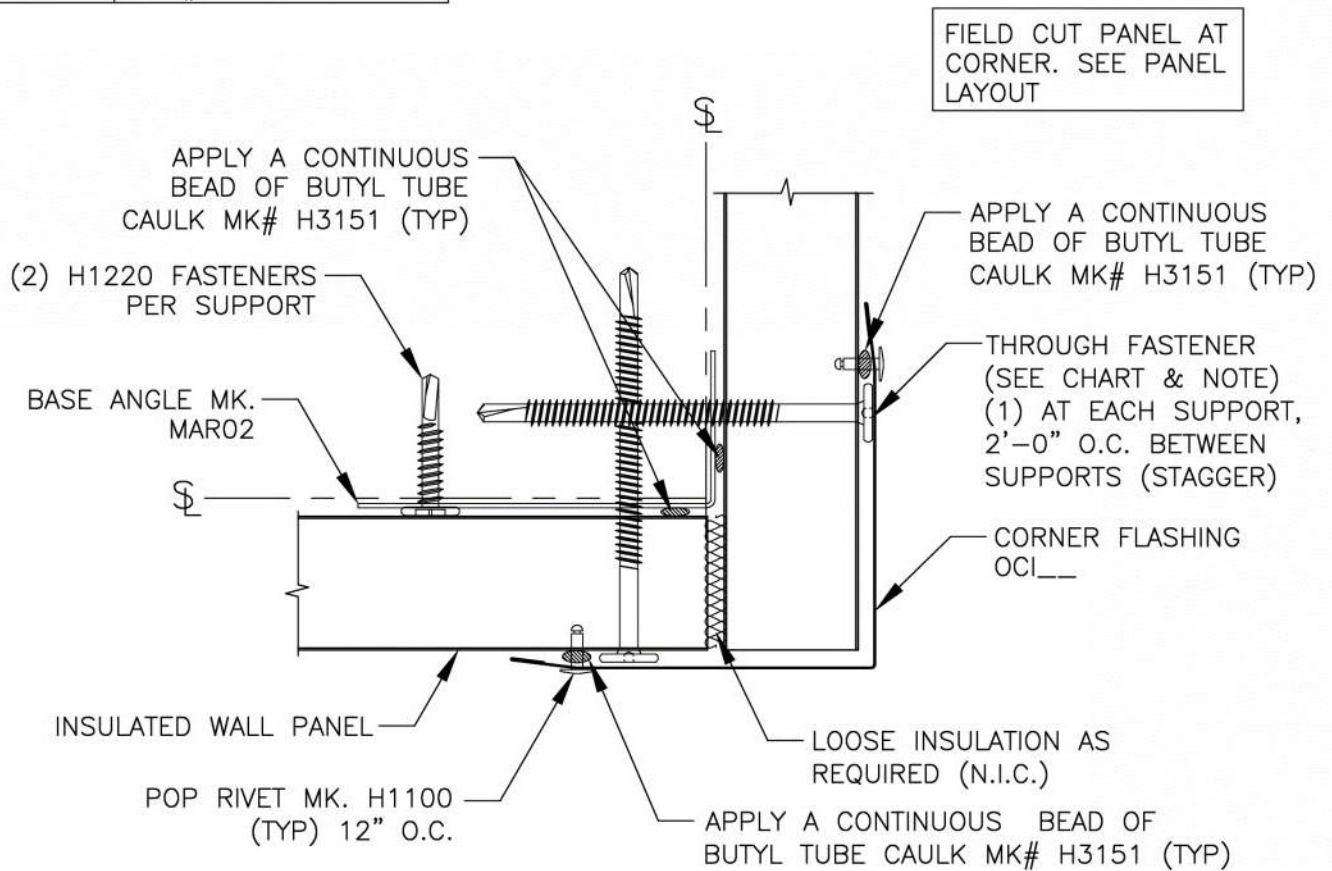
GB2330

Note: Base Angle standard. Base Channel available upon request.

CORNER DETAILS
GC2021 – OUTSIDE CORNER

PANEL THICKNESS	THROUGH FASTENER
2"	#14 X 3 SDPH
2 1/2"	#14 X 4 SDPH
3"	#14 X 4 SDPH
4"	#14 X 5 SDPH

NOTE: THE USE OF A CENTER PUNCH TO SLIGHTLY DIMPLE THE PANEL FACE PRIOR TO INSTALLING THE THROUGH FASTENERS IS RECOMMENDED TO PREVENT "WALKING" OF THE FASTENERS. EXCESSIVE DAMAGE OF THE PANEL FINISH CAUSED DURING INSTALLATION MAY VOID THE PANEL FINISH WARRANTY.



OUTSIDE CORNER DETAIL

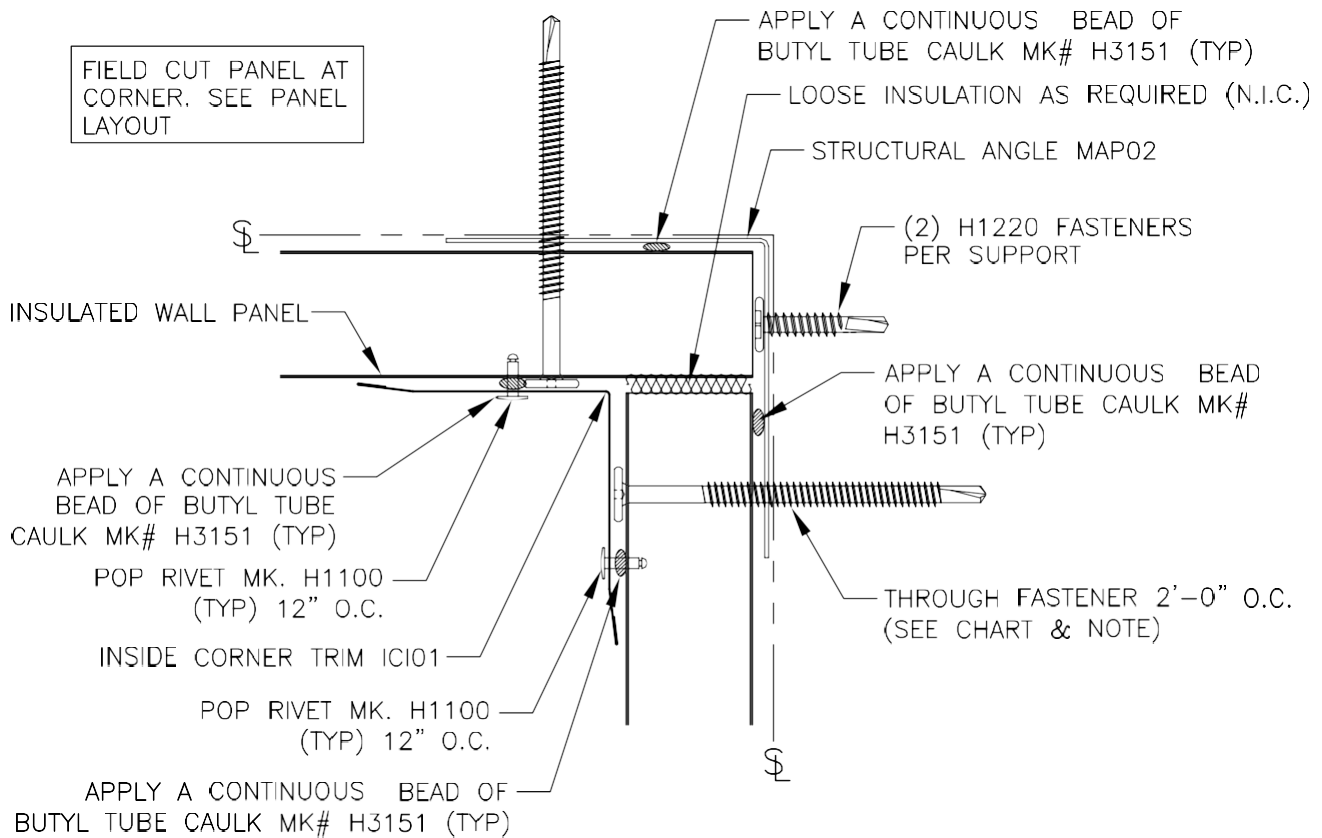
INSULATED WALL PANEL

GC2021

GC2051 – INSIDE CORNER

PANEL THICKNESS	THROUGH FASTENER
2"	#14 X 3 SDPH
2 1/2"	#14 X 4 SDPH
3"	#14 X 4 SDPH
4"	#14 X 5 SDPH

NOTE: THE USE OF A CENTER PUNCH TO SLIGHTLY DIMPLE THE PANEL FACE PRIOR TO INSTALLING THE THROUGH FASTENERS IS RECOMMENDED TO PREVENT "WALKING" OF THE FASTENERS. EXCESSIVE DAMAGE OF THE PANEL FINISH CAUSED DURING INSTALLATION MAY VOID THE PANEL FINISH WARRANTY.



INSIDE CORNER DETAIL
INSULATED WALL PANEL

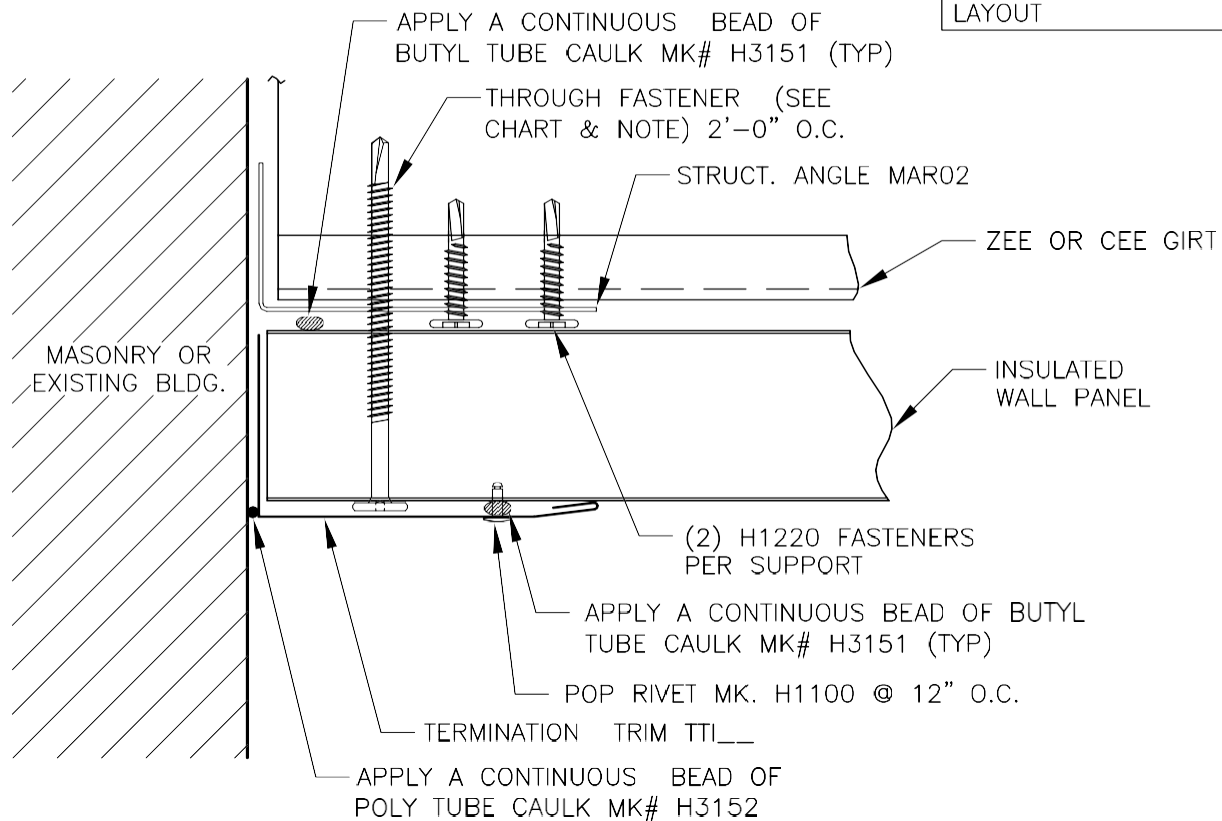
GC2051

GC2081 – INSIDE TRANSITION CORNER AT MASONRY OR EXISTING BUILDING

PANEL THICKNESS	THROUGH FASTENER
2"	#14 X 3 SDPH
2 1/2"	#14 X 4 SDPH
3"	#14 X 4 SDPH
4"	#14 X 5 SDPH

NOTE: THE USE OF A CENTER PUNCH TO SLIGHTLY DIMPLE THE PANEL FACE PRIOR TO INSTALLING THE THROUGH FASTENERS IS RECOMMENDED TO PREVENT "WALKING" OF THE FASTENERS. EXCESSIVE DAMAGE OF THE PANEL FINISH CAUSED DURING INSTALLATION MAY VOID THE PANEL FINISH WARRANTY.

FIELD CUT PANEL AT CORNER. SEE PANEL LAYOUT



INSIDE CORNER TRANSITION DETAIL

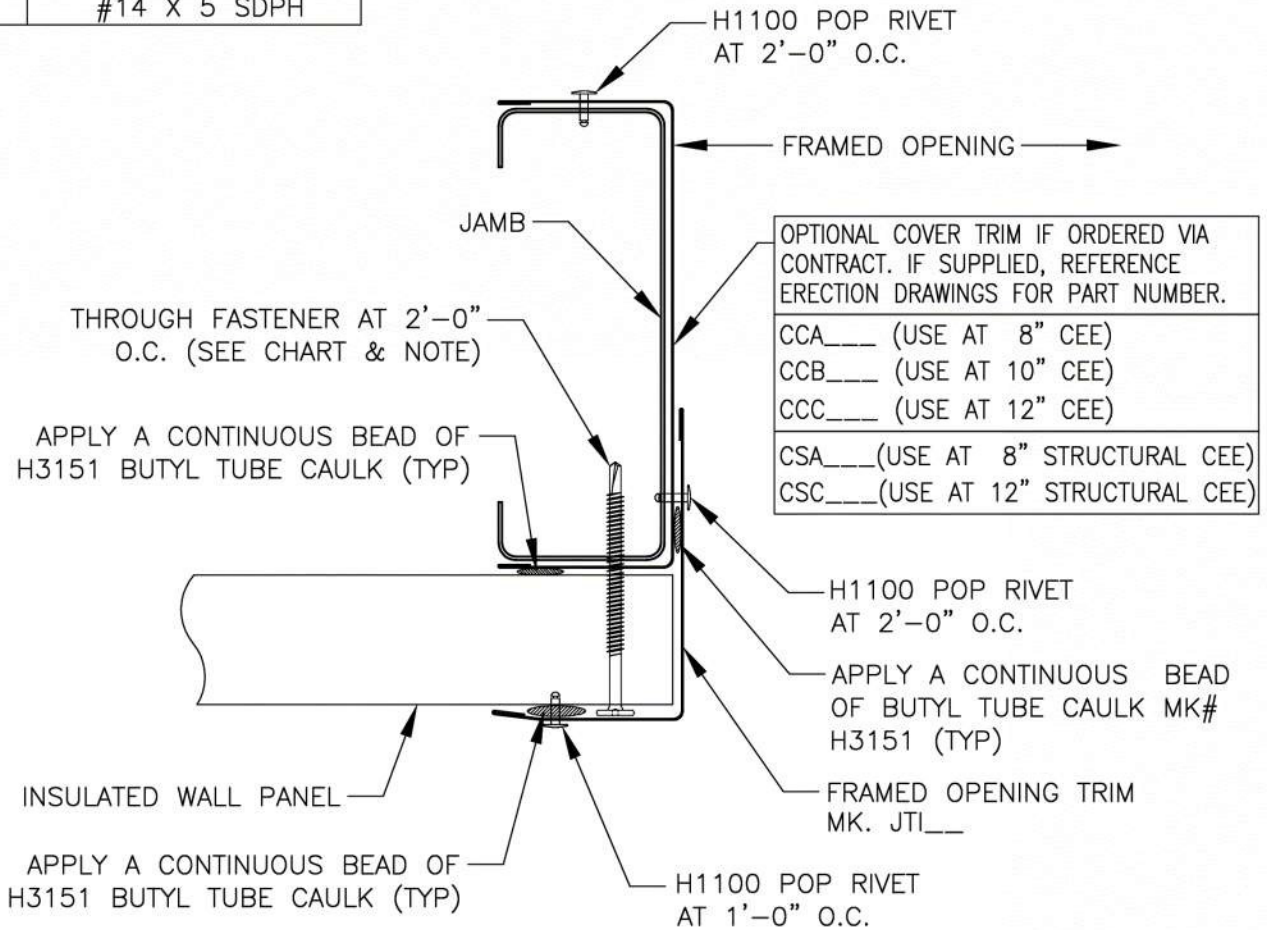
INSULATED WALL PANEL @ MASONRY OR EXISTING BLDG.

GC2081

FRAMED OPENING DETAILS
GD2020 – JAMB TRIM – CF JAMB

PANEL THICKNESS	THROUGH FASTENER
2"	#14 X 3 SDPH
2 1/2"	#14 X 4 SDPH
3"	#14 X 4 SDPH
4"	#14 X 5 SDPH

NOTE: THE USE OF A CENTER PUNCH TO SLIGHTLY DIMPLE THE PANEL FACE PRIOR TO INSTALLING THE THROUGH FASTENERS IS RECOMMENDED TO PREVENT "WALKING" OF THE FASTENERS. EXCESSIVE DAMAGE OF THE PANEL FINISH CAUSED DURING INSTALLATION MAY VOID THE PANEL FINISH WARRANTY.



JAMB DETAIL

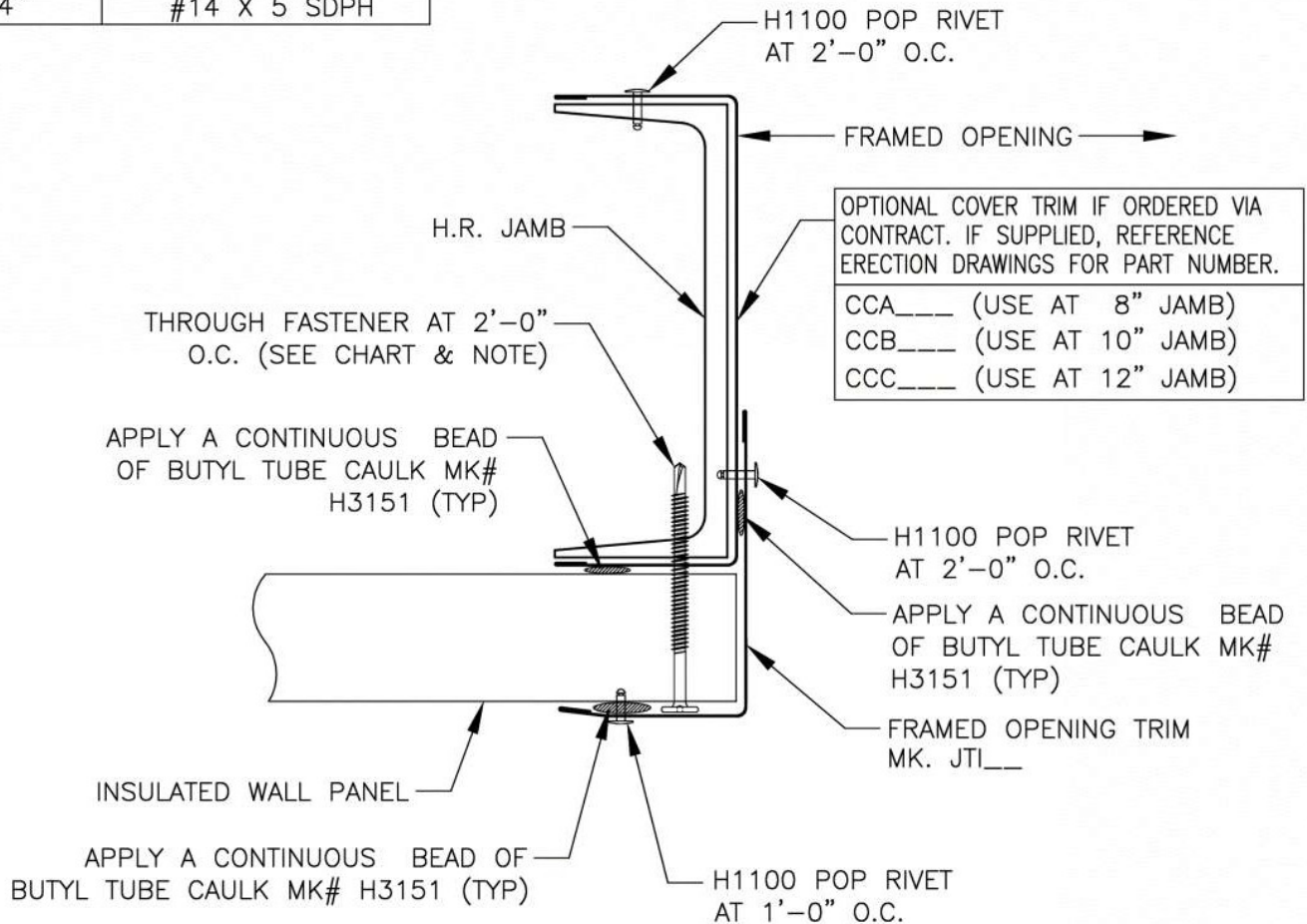
INSULATED WALL PANEL AT JAMB
PRE-DRILLING WILL BE REQUIRED FOR POP RIVETS

GD2020

GD2021 – JAMB TRIM – HR JAMB

PANEL THICKNESS	THROUGH FASTENER
2"	#14 X 3 SDPH
2 1/2"	#14 X 4 SDPH
3"	#14 X 4 SDPH
4"	#14 X 5 SDPH

NOTE: THE USE OF A CENTER PUNCH TO SLIGHTLY DIMPLE THE PANEL FACE PRIOR TO INSTALLING THE THROUGH FASTENERS IS RECOMMENDED TO PREVENT "WALKING" OF THE FASTENERS. EXCESSIVE DAMAGE OF THE PANEL FINISH CAUSED DURING INSTALLATION MAY VOID THE PANEL FINISH WARRANTY.



HOT ROLLED JAMB DETAIL

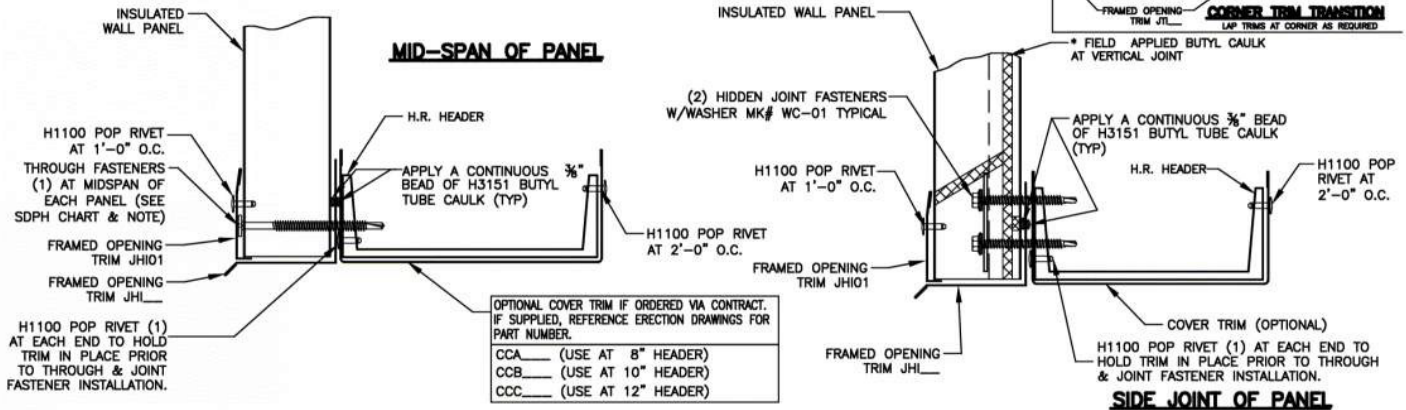
INSULATED WALL PANEL AT HR JAMB
PRE-DRILLING WILL BE REQUIRED FOR POP RIVETS

GD2021

GD2041 – HEAD TRIM HR CEE

NOTE: THE USE OF A CENTER PUNCH TO SLIGHTLY DIMPLE THE PANEL FACE PRIOR TO INSTALLING THE THROUGH FASTENERS IS RECOMMENDED TO PREVENT "WALKING" OF THE FASTENERS. EXCESSIVE DAMAGE OF THE PANEL FINISH CAUSED DURING INSTALLATION MAY VOID THE PANEL FINISH WARRANTY.

* ENSURE CAULK IS CONTINUOUS, IF NO CAULK IS PRESENT OR IF CAULK IS NOT CONTINUOUS, FIELD APPLY CONTINUOUS CAULK MK# H3151.



OPTIONAL COVER TRIM IF ORDERED VIA CONTRACT. IF SUPPLIED, REFERENCE ERECTION DRAWINGS FOR PART NUMBER.
 CCA (USE AT 8" HEADER)
 CCB (USE AT 10" HEADER)
 CCC (USE AT 12" HEADER)

PANEL THICKNESS	THROUGH FASTENER	HIDDEN FASTENER
2"	#14 X 3 SDPH	#14 X 2 SDHH
2 1/2"	#14 X 4 SDPH	#14 X 3 SDHH
3"	#14 X 4 SDPH	#14 X 3 SDHH
4"	#14 X 5 SDPH	#14 X 4 SDHH

SECTION AT HOT ROLLED HEADER

INSULATED WALL PANELS
 PRE-DRILLING WILL BE REQUIRED

GD2041

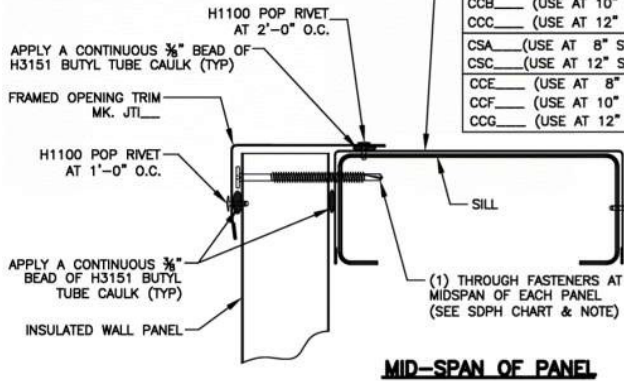
GD2070 – SILL TRIM

NOTE: THE USE OF A CENTER PUNCH TO SLIGHTLY DIMPLE THE PANEL FACE PRIOR TO INSTALLING THE THROUGH FASTENERS IS RECOMMENDED TO PREVENT "WALKING" OF THE FASTENERS. EXCESSIVE DAMAGE OF THE PANEL FINISH CAUSED DURING INSTALLATION MAY VOID THE PANEL FINISH WARRANTY.

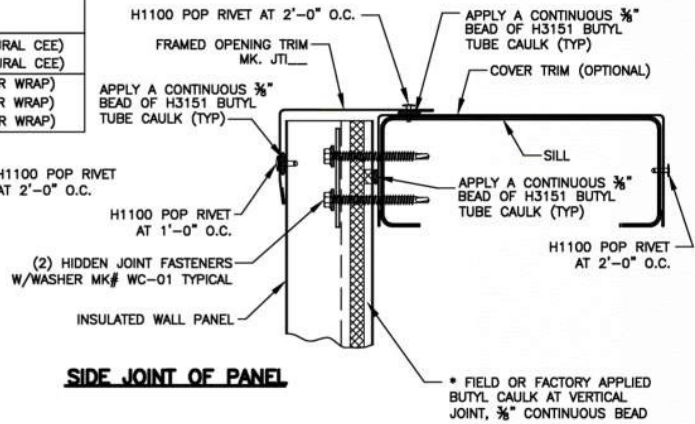
OPTIONAL COVER TRIM IF ORDERED VIA CONTRACT. IF SUPPLIED, REFERENCE ERECTION DRAWINGS FOR PART NUMBER.

- CCA (USE AT 8" CEE)
- CCB (USE AT 10" CEE)
- CCC (USE AT 12" CEE)
- CSA (USE AT 8" STRUCTURAL CEE)
- CSC (USE AT 12" STRUCTURAL CEE)
- CCE (USE AT 8" HEADER WRAP)
- CCF (USE AT 10" HEADER WRAP)
- CCG (USE AT 12" HEADER WRAP)

* ENSURE CAULK IS CONTINUOUS, IF NO CAULK IS PRESENT OR IF CAULK IS NOT CONTINUOUS, FIELD APPLY CONTINUOUS CAULK MK# H3151.



MID-SPAN OF PANEL



SIDE JOINT OF PANEL

PANEL THICKNESS	THROUGH FASTENER	HIDDEN FASTENER
2"	#14 X 3 SDPH	#14 X 2 SDHH
2 1/2"	#14 X 4 SDPH	#14 X 3 SDHH
3"	#14 X 4 SDPH	#14 X 3 SDHH
4"	#14 X 5 SDPH	#14 X 4 SDHH

SECTION AT SILL

INSULATED WALL PANEL
PRE-DRILLING WILL BE REQUIRED FOR POP RIVETS

GD2070